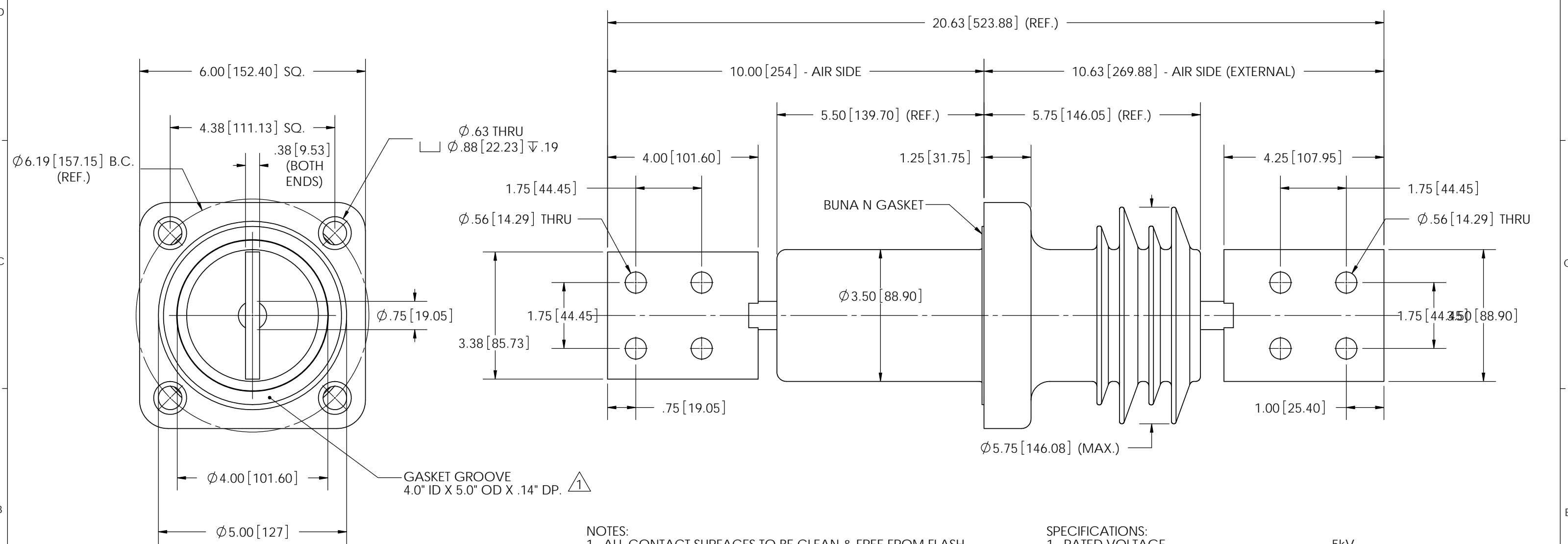


REVISIONS					
NO	DATE	ECN#	REMARKS	BY	APPD.
1	1/21/2022	HJ21-097	GASKET GROOVE DEPTH WAS .125"	MAD	CJT



GASKET GROOVE
4.0" ID X 5.0" OD X .14" DP.

- NOTES:**
1. ALL CONTACT SURFACES TO BE CLEAN & FREE FROM FLASH
 2. RECOMMENDED OPENING: ϕ 4.00 (MIN.)

- MATERIAL:**
1. E07 - CYCLOALIPHATIC EPOXY (U.V. EXPOSED)
 2. HD ETP C11000 GRADE COPPER, TIN PLATED

- SPECIFICATIONS:**
1. RATED VOLTAGE 5kV
 2. POWER FREQUENCY WITHSTAND 19kV
 3. BASIC IMPULSE LEVEL 60kV AIR/AIR
 4. NOMINAL CURRENT RATING 800 AMPS
 5. CREEP DISTANCE (EXTERNAL) 10"
 6. TEMPERATURE RANGE -40°C TO 105°C
 7. APPROXIMATE WEIGHT 14.75 LBS



H-J INTERNATIONAL, INC.
3010 HIGH RIDGE BLVD, HIGH RIDGE, MO. 63049 USA
PHONE 1-636-677-3421 FAX 1-636-376-1915

2000 SERIES
5kV / 800A
POWER APPARATUS BUSHING

PROPRIETARY AND CONFIDENTIAL
THE INFORMATION CONTAINED IN THIS DRAWING IS THE SOLE PROPERTY OF H-J INTERNATIONAL, INC. ANY REPRODUCTION IN PART OR AS A WHOLE WITHOUT THE WRITTEN PERMISSION OF H-J INTERNATIONAL, INC. IS STRICTLY PROHIBITED.

TOLERANCES (EXCEPT AS NOTED)

ONE PLACE MM	±1.50
TWO PLACE MM	±0.75
TWO PLACE DEC.	±0.60
THREE PLACE DEC.	±0.30
FRACTIONS	± 1/16"
ANGLES	2°

APPROVED BY	DB	DATE	3/26/2008
CHECKED BY	JM	DATE	3/26/2008
DRAWN BY	DB	DATE	3/26/2008
TOOL NO.	T20-000-1		
PRODUCT GRP.	2000 SERIES		

DRAWING NO.	20-000-102								
SCALE	1:2.5	SIZE	B	REV.	1	SHEET	1	OF	1